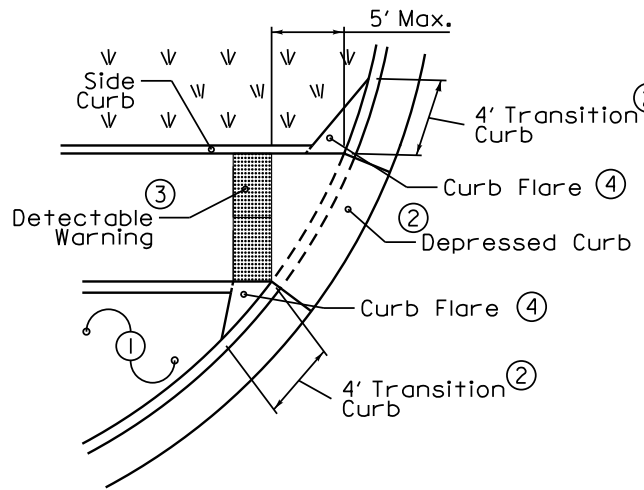
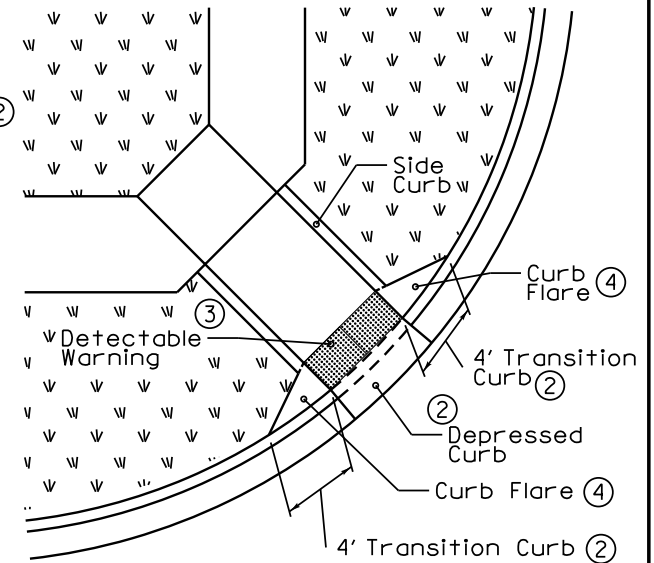


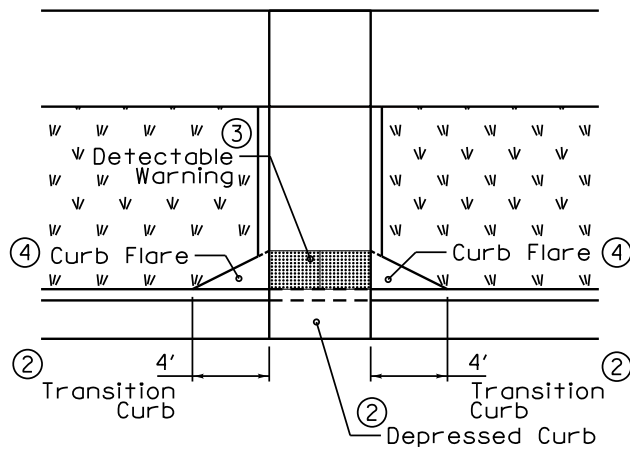
Median Curb Ramp



Perpendicular Curb Ramp



Diagonal Curb Ramp



Mid-Block Curb Ramp

Design Notes:

- ① Pavement type and details are shown elsewhere in the plans.
- ② The Depressed Curb and the Transition Curb will be paid for as COMBINATION CONCRETE CURB AND GUTTER of the type adjacent to the curb ramp. See IDOT Standard 60600I for details of Depressed Curb adjacent to curb ramp.
- ③ The Detectable Warnings shall be installed in accordance with Article 424.09 of the IDOT Standard Specifications and the LCDOT Specification 42400800 DETECTABLE WARNINGS and will be measured and paid for per square foot.
- ④ The curb flare will be paid for as CONCRETE CURB, TYPE B, measured along the 4' transition.

REVISIONS	DATE
Added Note 4	12/10/15

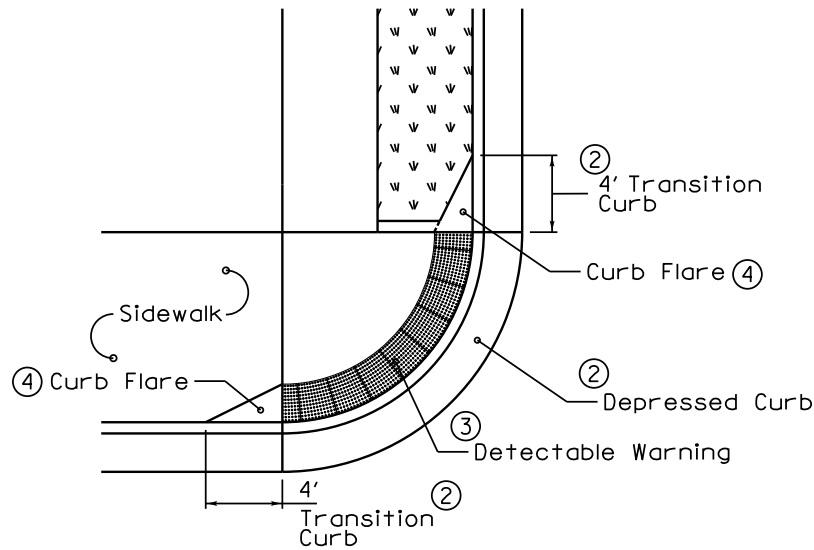


APPROVED BY: M. G. ZEMAITIS
DATE: JAN 7, 2015

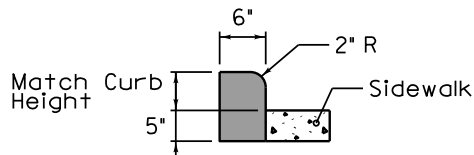
**CURB FLARES FOR
SIDEWALKS**

(SHEET 1 OF 2)

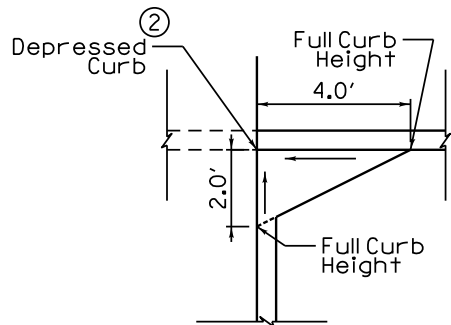
LC4204



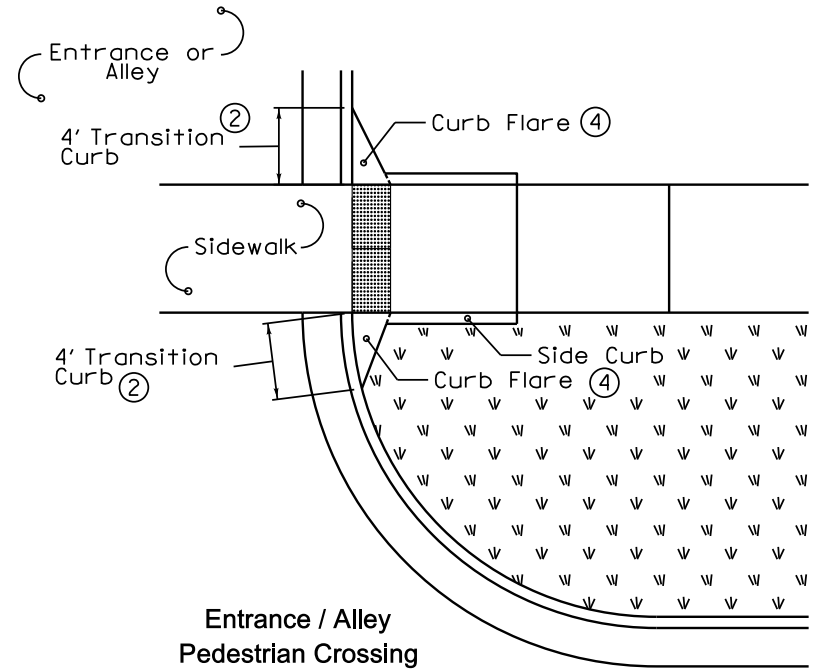
Depressed Corner



Side Curb Type "B" Detail



Curb Flare Detail (4)



Entrance / Alley
Pedestrian Crossing

Design Notes:

- ① Pavement type and details are shown elsewhere in the plans.
- ② The Depressed Curb and the Transition Curb will be paid for as COMBINATION CONCRETE CURB AND GUTTER of the type adjacent to the curb ramp. See IDOT Standard 60600I for details of Depressed Curb adjacent to curb ramp.
- ③ The Detectable Warnings shall be installed in accordance with Article 424.09 of the IDOT Standard Specifications and the LCDOT Specification 42400800 DETECTABLE WARNINGS and will be measured and paid for per square foot.
- ④ The curb flare will be paid for as CONCRETE CURB, TYPE B, measured along the 4' transition.

REVISIONS	DATE
Added Note 4	12/10/15



APPROVED BY: M. G. ZEMAITIS
DATE: JAN 7, 2015

**CURB FLARES FOR
SIDEWALKS**

(SHEET 2 OF 2)

LC4204