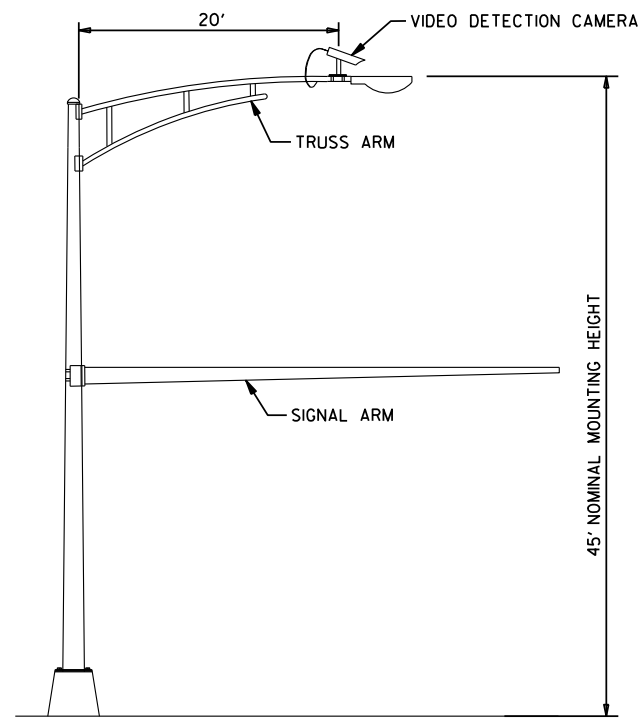
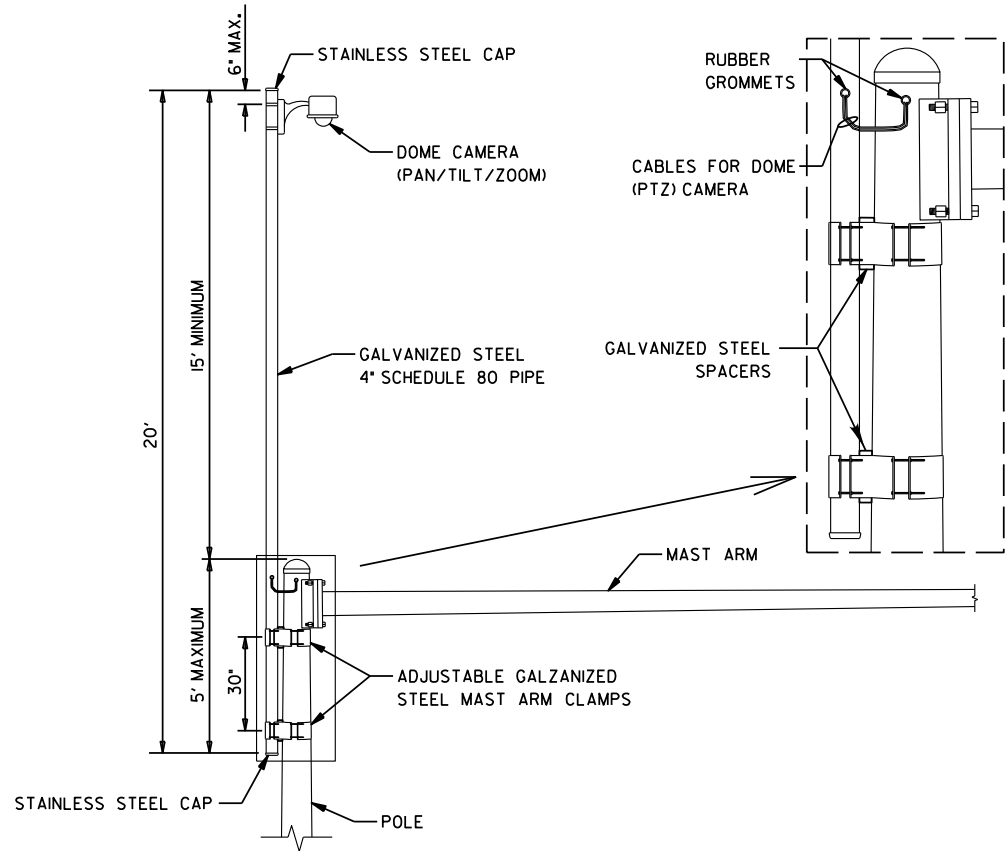


TYPICAL VIDEO VEHICLE DETECTION SYSTEM
(NOT TO SCALE)

(4) VIDEO DETECTION CAMERA ASSEMBLIES AND BRACKETS ① ② ③ ④

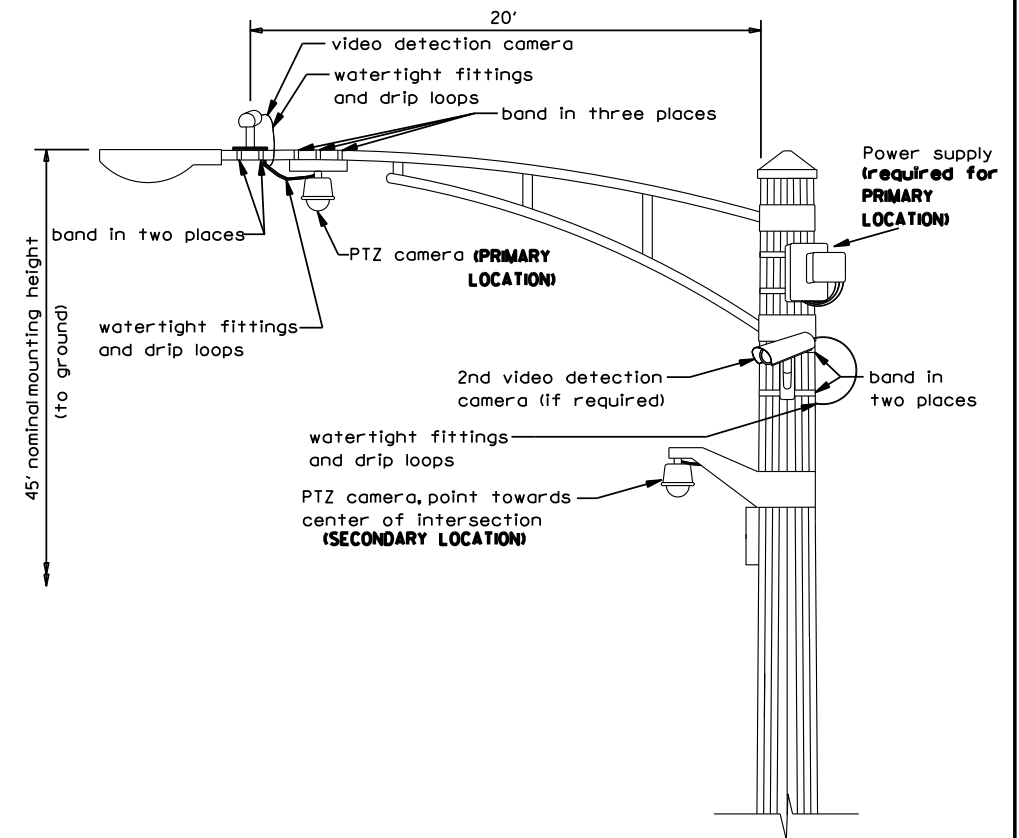


COMBINATION MAST ARM ASSEMBLY AND POLE DIMENSIONS
(NOT TO SCALE)



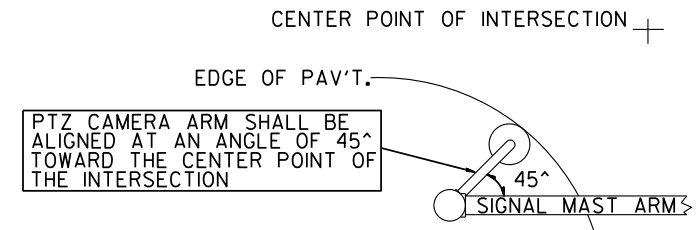
CAMERA MOUNTING ASSEMBLY DETAIL
(NOT TO SCALE)

- NOTES:**
- THE MAST ARM IS TAPERED.
 - INSTALL EXTENSION POLE VERTICAL AND PLUMB BY MODIFYING/INSTALLING BRACKETS AS NECESSARY. ADDITIONAL SPACERS REQUIRED ARE INCLUDED IN THE COST OF THE CAMERA MOUNTING ASSEMBLY OF THE TYPE SPECIFIED.
 - SPACERS ARE TO BE INTEGRATED OR MANUFACTURED WITH THE MAST ARM BRACKETS



VIDEO DETECTION CAMERA(S) AND DOME (PTZ) CAMERA MOUNTING DETAIL
(NOT TO SCALE)

- NOTES FOR SINGLE, DUAL AND MULTIPLE CAMERA MOUNTING:**
- MOUNT LUMINAIRE MOUNTING BRACKET AS HIGH AS POSSIBLE.
 - MOUNT VIDEO DETECTION CAMERA AIMING DOWN TOWARD THE DIRECTION OF TRAFFIC TO BE DETECTED.



PTZ CAMERA MOUNTING DETAILS (SECONDARY LOCATION)
(NO SCALE)

REVISIONS	DATE		APPROVED BY: J. P. NELSON
Mounting Details Revised	05/01/08		DATE: JUNE 13, 2014
2nd Camera Locat. added	01/14/09		
Mast Arm Taper Detail	06/01/12		
Mounting Details Revised	06/13/14		
CAMERA MOUNTING DETAILS			

NO.	REVISIONS / REMARKS	DATE	BY	SURVEYOR:	
	DESCRIPTION	/ /		DSGMR/LIAISON:	/
		/ /		PLOTTED BY:	bdmc 8/1/2014

FILE NAME: C:\Users\hdm\c\Desktop\LC8900 VIDEO DETECTION DETAILS REVISION-JUNE 2014.DGN



PROJECT NAME

LAKE COUNTY STANDARDS & DETAILS

ROUTE	SECTION	SECTION NUMBER	SHEET	SHEETS
CHXX	XXX	XX-XXXX-XX-XX	XXX	XXX

LC8900